

## Opus 700 Salamanders

### Key Features

- Type: Electric
- Integral fat collection channel
- Cast aluminium branding plate
- Dual zone operation allowing half of the grill to be set to different temperatures
- Five horizontal grilling positions and four tilt angles



OF7303

### Construction

- Body: Stainless steel grade 430
- Interior and top: Enamelled steel
- Grill shelf: Chrome plated steel

### Available Options

- N/A

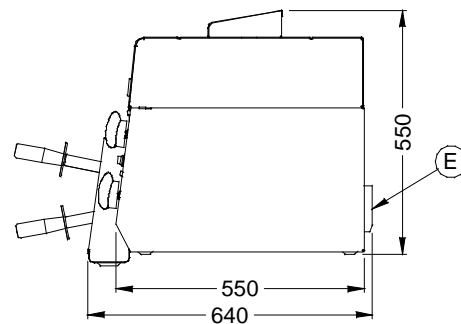
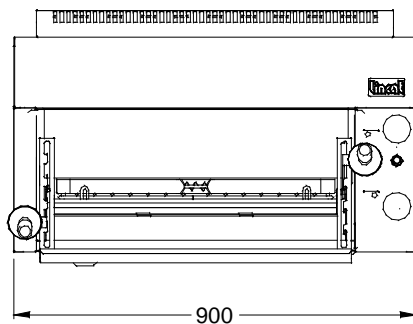
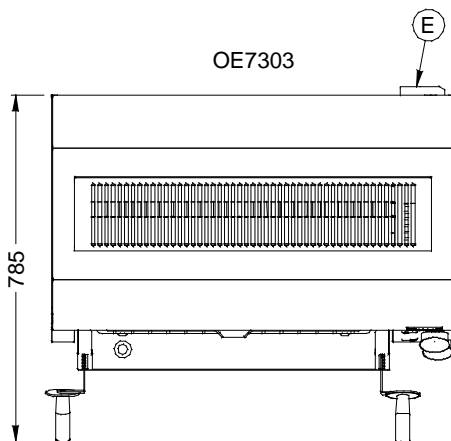
### Available Accessories

- OA7911 wall shelf
- OA7912 floor stand
- OA7913 Cheese melter grid
- OA7918 bench stand
- BR05 Additional branding plate

Note: Salamander floor stand cannot be supplied on castors

## Specifications

Model	OE7303
External height (mm)	550
External width (mm)	900
External depth (mm)	550
External depth including grill tray handles (mm)	785
Branding plate width size w x d (mm)	630 x 450
Net weight unpacked (kg)	68
Gross weight packed (kg)	76
Shipping volume (m <sup>3</sup> )	0.664
Total electrical power rating (kW)	6.8
Electrical supply 1N~+E 230V 50-60Hz Current Rating (A)	29.6
Electrical supply 3N~+E 400V 50-60Hz	L1-14.8 L2-14.8
Current Rating (A)	L3-0.0



Lincat Limited, Whisby Road,  
Lincoln LN6 3QZ,  
United Kingdom

UK Sales Tel: 01522 875500 UK Spares Tel: 01522 875510 UK General Tel: 01522 875555  
 UK Fax: 01522 875530 International Sales Tel: +44 1522 503250 International Fax: +44 1522 875530  
 Website: [www.lincat.co.uk](http://www.lincat.co.uk) UK Sales e-mail: [sales@lincat.co.uk](mailto:sales@lincat.co.uk) International Sales e-mail: [export@lincat.co.uk](mailto:export@lincat.co.uk)



Document ref:  
OPUSELECSAL03  
Issue date: Oct-09